

Nfina 8224R-i20s SAN



FEATURES:

- Twin 2U rack-mount dual-socket server
- Choice of 2nd Generation Intel® Xeon® Scalable Processors
 - Platinum, Gold, Silver and Bronze available
 - 2.7GHz to 4.0GHz processor speeds available
 - Up to 28 cores per processor
- Up to 1.5TB total memory (per chassis)
- Supports Intel® Optane™ Memory
- 48 x 2.5" hot-swap drive bays
 - Supports NVMe, SSD and HDD drives
- Up to 736TB storage (368TB usable)
- Redundant hot-swap power supplies
- 4 x 10GbE (100/1000/10000) LAN ports, 2 x 1GbE (mgmt port)
- Open-E® JovianDSS, storage pool mgmt. software w/ no single point of failure
- On & Off-site data protection, stores copies locally and remotely
- Create unlimited snapshots
- Instant data recovery

The Nfina Technologies 8224R-i20s SAN with forty-eight all-flash NVMe/SSD drives delivers high-density, high iOPS, and low latency.

The Nfina 8224R-i20s SAN with 2nd Generation Intel® Xeon® Scalable System Framework (SSF) is truly a breakthrough in storage solutions. Delivering high-performance, high iOPS, and low latency this SAN equipped with 48 NVMe/SSDs drives is the ideal candidate for an allflash storage array, alleviating the I/O bottleneck between high performance and capacity.

In environments consisting of hyperconverged systems, virtualized systems, advanced analytics, or artificial intelligence, the 8224R-i20s SAN delivers on performance and efficiency. Data centers for enterprise, military, and municipal government will benefit from Nfina's outstanding value, reliability and performance.

Nfina products deliver exceptional functionality by creating products that are easily customized to fit specific applications. Designed and built for virtualized computing environments, our products provide highdensity, maximum yield solutions for our customers. Multiple options for high performance computing, including I/O, RAID, storage, and memory options make our products a custom fit for many applications.

All Nfina Technologies' servers are backed by a five-year limited warranty and include 24x7 tech support with remote diagnostics. Next day and four hour onsite response options are available.

SERVERS

DATA STORAGE

PCs & WORKSTATIONS

n-fina
EDGE SOLUTIONS

NFINA 8224R-i20s SAN

SPECIFICATIONS

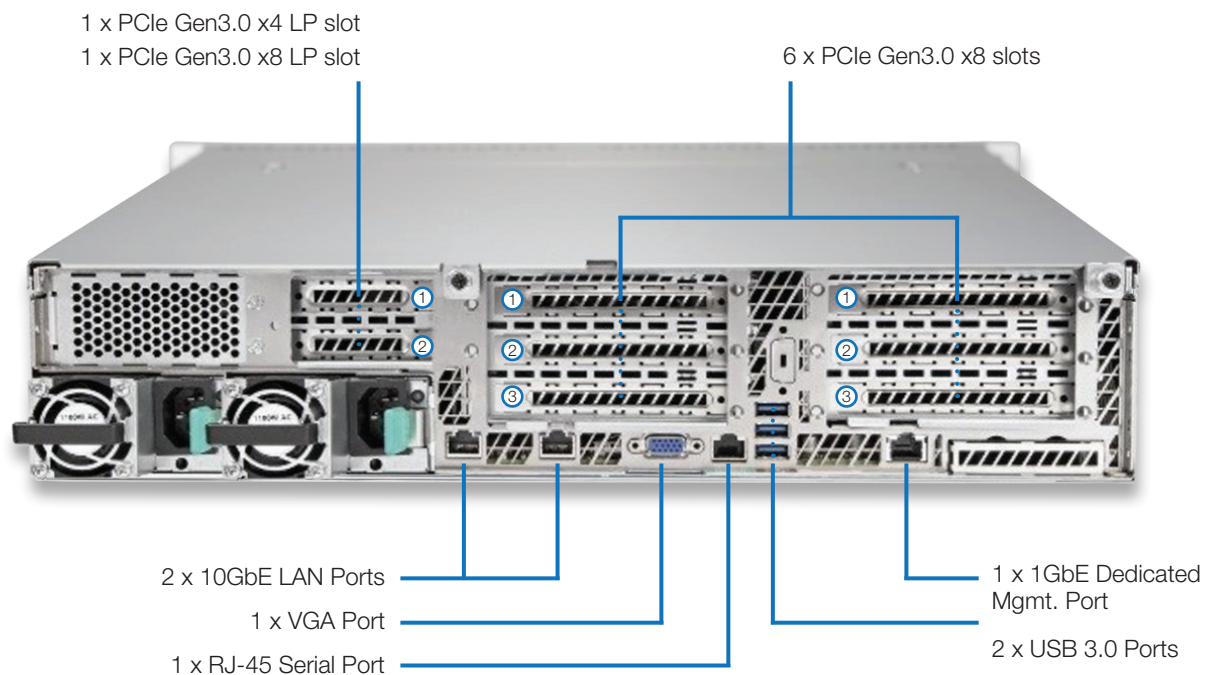
Form Factor	Twin 2U rack-mount, 3.44" x 16.93" x 27.95" (per chassis)
Operating Temperature	10°C to 35°C (50°F to 95°F)
Processor	2nd Generation Intel® Xeon® Scalable Processors, up to 28 cores each
Processor Speed	2.7GHz to 4.0GHz
Socket	Dual Socket P
Memory	Up to 24 DIMM slots, DDR4 ECC 2933 MHz (per chassis) 1.5TB Max memory capacity (per chassis) Intel® Optane™ Memory supported
Storage	24 x 2.5" hot-swap drive bays (front – per chassis) Supports: 24 NVMe, SSD, and HDD drives (per chassis) 2 x 2.5" rear mounted hot-swap drives (optional – per chassis) 2 x Internal M.2 NVMe/SSDs (2280), PCIe or SATA (optional – per chassis)
Maximum Storage	Up to 736TB (368TB usable), depending on drive type
Software RAID	0,1,10, optional 5
Hardware RAID/Caching	Hardware RAID optional, Caching available
Input Voltage	100-127V @ 8.5A, 50/60 Hz 200-240V @ 7.5A, 50/60 Hz
Power Supply	Redundant hot-swap power supplies @ 1300W AC each
Remote Management	IPMI 2.0, KVM over HTML5
OS Supported	Open-E® JovianDSS™, VMware® ESXi™ 6.0-7.0, Microsoft® Windows Server® 2016, 2019, Red Hat® RHEL 5,6,7x, SUSE® SLES 11,12, Ubuntu 14,15,16,17, XenServer® 6.5-7.6, CentOS™ 6,7, KVM, more options available
Certifications	NRTL Nemko (US, Canada), CE (Europe), RCM (Australia/NZ), GS (Germany), FCC (US), ICES-3(A) (Canada), KC (Korea), Ukraine Certification, BSMI (Taiwan), EAC (Russia), VCCI-A (Japan), RoHS EVPU 20 (China), MIC (Vietnam)
Warranty	5 years

NFINA 8224R-i20s SAN

SPECIFICATIONS

I/O	3 x USB 3.0 ports (rear) 1 x USB 2.0 ports (front) (per chassis) 1 x RJ-45 Serial (rear) (per chassis)
Display	1 x VGA port (rear) (per chassis)
Ethernet	2 x 10GbE LAN (100/1000/10000) standard, other options available (per chassis) 1 x 1GbE (Dedicated management port) (per chassis)
PCIe® Slots	7 x PCIe® Gen3 x8 (per chassis) 1 x PCIe® Gen3 x4 (per chassis)

Port and slot counts displayed below are for one chassis only



© 2021 Nfina Technologies, Inc. All rights reserved. Intel® and XEON® are registered trademarks of Intel Corporation. Other trademarks and trade names that may be used in this document are owned by their respective companies.

Nfina believes the information in this document is accurate as of its publication date. The information is subject to change without notice. The contents of this document are provided as-is, without any express or implied warranties of any kind.

Rev. 012221

Address: 820 S. University Blvd. Suite 4E, Mobile, AL 36609

Email: nfina_sales@n-fina.com

Telephone: 251.243.0043

Website: www.n-fina.com