

Nfina 2216Rs SAN



FEATURES:

- Twin, 2U rack-mount dual-socket server
- Choice of 2nd Generation Intel® Xeon® Scalable Processors
 - Platinum, Gold, Silver and Bronze available
 - 2.7GHz to 4.0GHz processor speeds available
 - Up to 28 cores (per processor)
- 1TB max memory (per chassis)
- 32 x 2.5" Hot-swap SSD/HHD drive bays
- 1 x M.2 NVMe/SSD drive (per)
- Up to 491.52TB storage
- 2 x 10GbE LAN ports (per chassis)
- 1 x Dedicated Mgmt. port (per chassis)
- Up to 11 PCIe slots (per chassis)
- Dual redundant hot-swap 1000W power supplies
- Open-E® JovianDSS, storage pool mgmt. software w/ no single point of failure
- On & Off-site data protection, stores copies locally and remotely
- Create unlimited snapshots
- Instant data recovery
- High-Availability clusters

The Nfina 2216Rs SAN is a high capacity, redundant, storage solution excellent for creating a high-availability network.

The Nfina 2216Rs SAN is ideal for budget applications that require the optimized performance of the 2nd Generation Intel® Xeon® Scalable processors and agility of a flash array. This advanced storage and compute platform delivers exceptional quality and a lower cost of ownership, greatly reducing strain on your users and your finances.

For IT environments consisting of hyperconverged systems, virtualized environments, compute intensive applications, networking telephony, or surveillance, the 2216Rs SAN delivers on scalability, speed, and efficiency.

Nfina products deliver exceptional functionality by creating products that are easily customized to fit specific applications. Designed and built for virtualized computing environments, our products provide high-density, maximum yield solutions for our customers. Multiple options for high performance computing, including I/O, RAID, storage, and memory options make our products a custom fit for many applications.

All Nfina Technologies' SANs include a standard five-year warranty and 24x7 tech support with remote diagnostics. Next day and four hour onsite response options are available.

SERVERS

DATA STORAGE

PCs & WORKSTATIONS

n-fina
EDGE SOLUTIONS

NFINA 2216Rs SAN

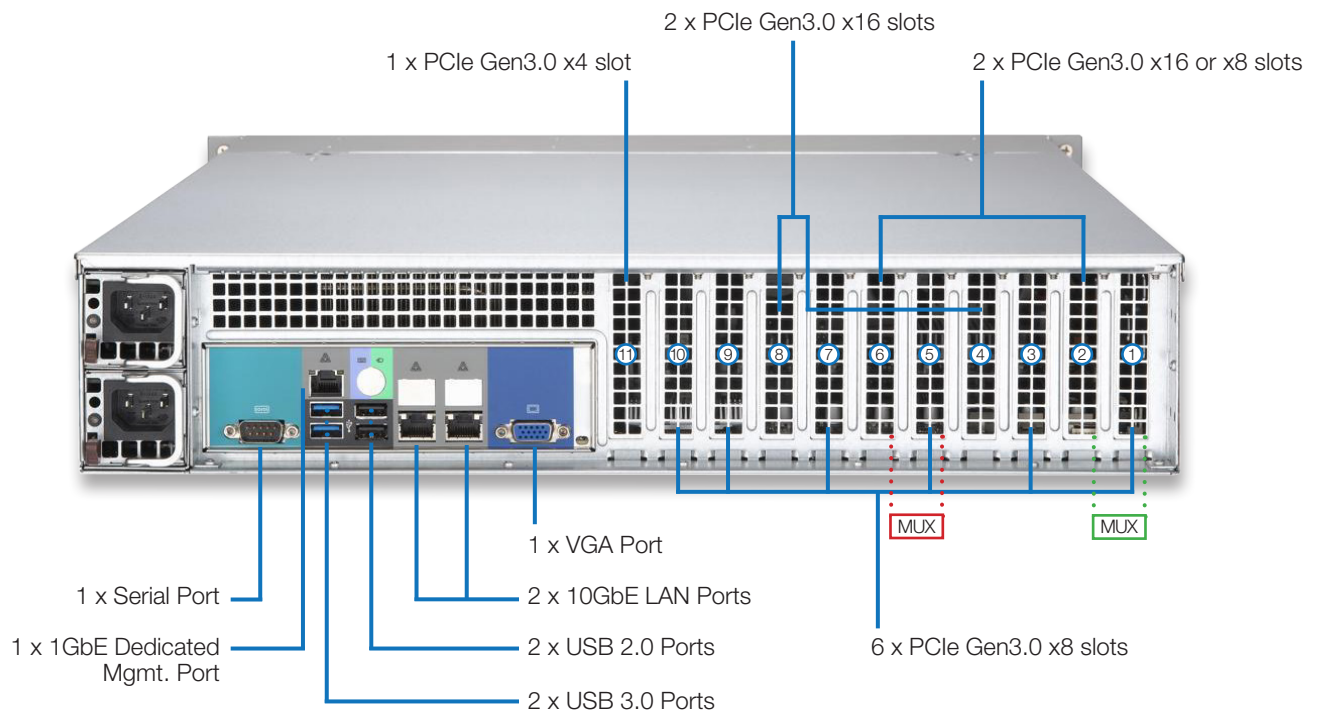
SPECIFICATIONS

Form Factor	2U rack-mount, 3.5" x 17.2" x 25.6" (per chassis)
Operating Temperature	10°C to 35°C (50°F to 95°F)
Processors	2nd Generation Intel® Xeon® Scalable Processors, up to 28 cores each
Processor Speed	Up to 2.7GHz to 4.0GHz
CPU Cache	Up to 39MB per processor
Socket	Dual Socket P (LGA 3647)
Memory	16 DIMM slots, DDR4 ECC RDIMM/LRDIMM 2933 MHz (per chassis) 1TB Max memory capacity (per chassis) Intel® Optane™ DC Persistent Memory supported
Storage	16 x 2.5" hot-swap drive bays (per chassis) Supports: SSD and HDD drives 1 x internal M.2 NVMe/SSD (2280), PCIe (optional) (per chassis)
Optical Drive	1 x 5.25" Slim DVD, SATA drive (optional - per chassis)
Maximum Storage	Up to 491.52TB, (245.76TB usable) depending on drive type
Hardware RAID	Hardware RAID optional
Caching	Caching options available
Input Voltage	100-127V @ 7.5-9A, 50/60 Hz 200-240V @ 5-6A, 50/60 Hz
Power Supply	Dual redundant hot-swap 1000W AC power supplies (2 per chassis)
Remote Management	IPMI 2.0, KVM over HTML5
TPM	Version 2.0, optional
OS Supported	Open-E® JovianDSS™ & DSS7, Microsoft® Windows Server® 2016, 2019, Windows® 10, Hyper-V Server 2016, VMware® ESXi™ 6.5u1-7.0, Red Hat® RHEL 7.4-7.x, SUSE® SLES 12SP3, Ubuntu 17.10, Free BSD 10.3-11.1, Fedora 26, XenServer 7.2, more options available
Certifications	UL or CSA Listed (USA and Canada), FCC Part 15 Subpart B (US), CE (Europe), EMC EN 55032:2012/AC:2013 (Class A), AS/NZS CISPR 32:2013 (Class A) (Australia), VCC 32-1/2016.11
Warranty	5 years

SPECIFICATIONS

I/O	2 x USB 3.0 ports (rear) (per chassis) 2 x USB 2.0 ports (rear) (per chassis) 1 x serial port (rear) (per chassis)
Display	1 x VGA port (rear) (per chassis)
Ethernet	2 x 10GbE LAN ports (10/1000/10000) standard (per chassis), other options available 1 x 1GbE (Dedicated management port) (per chassis)
PCIe® Slots	2 x PCIe Gen3 x16 (Low-Profile) (per chassis) 2 x PCIe Gen3 x16 (Low-Profile) (or 4 x PCIe Gen3 x8 by MUX) (per chassis) 4 x PCIe Gen3 x8 (Low-Profile) (per chassis) 1 x PCIe Gen3 x4 in x8 slot (Low-Profile) (per chassis)

Port and slot counts displayed below are for one chassis only



© 2021 Nfina Technologies, Inc. All rights reserved. Intel®, XEON®, and Intel® Optane™ are registered trademarks of Intel Corporation. Other trademarks and trade names that may be used in this document are owned by their respective companies.

Nfina believes the information in this document is accurate as of its publication date. The information is subject to change without notice. The contents of this document are provided as-is, without any express or implied warranties of any kind.

Rev. 012021

Address: 820 S. University Blvd. Suite 4E, Mobile, AL 36609

Telephone: 251.243.0043

Email: nfina_sales@n-fina.com

Website: www.n-fina.com